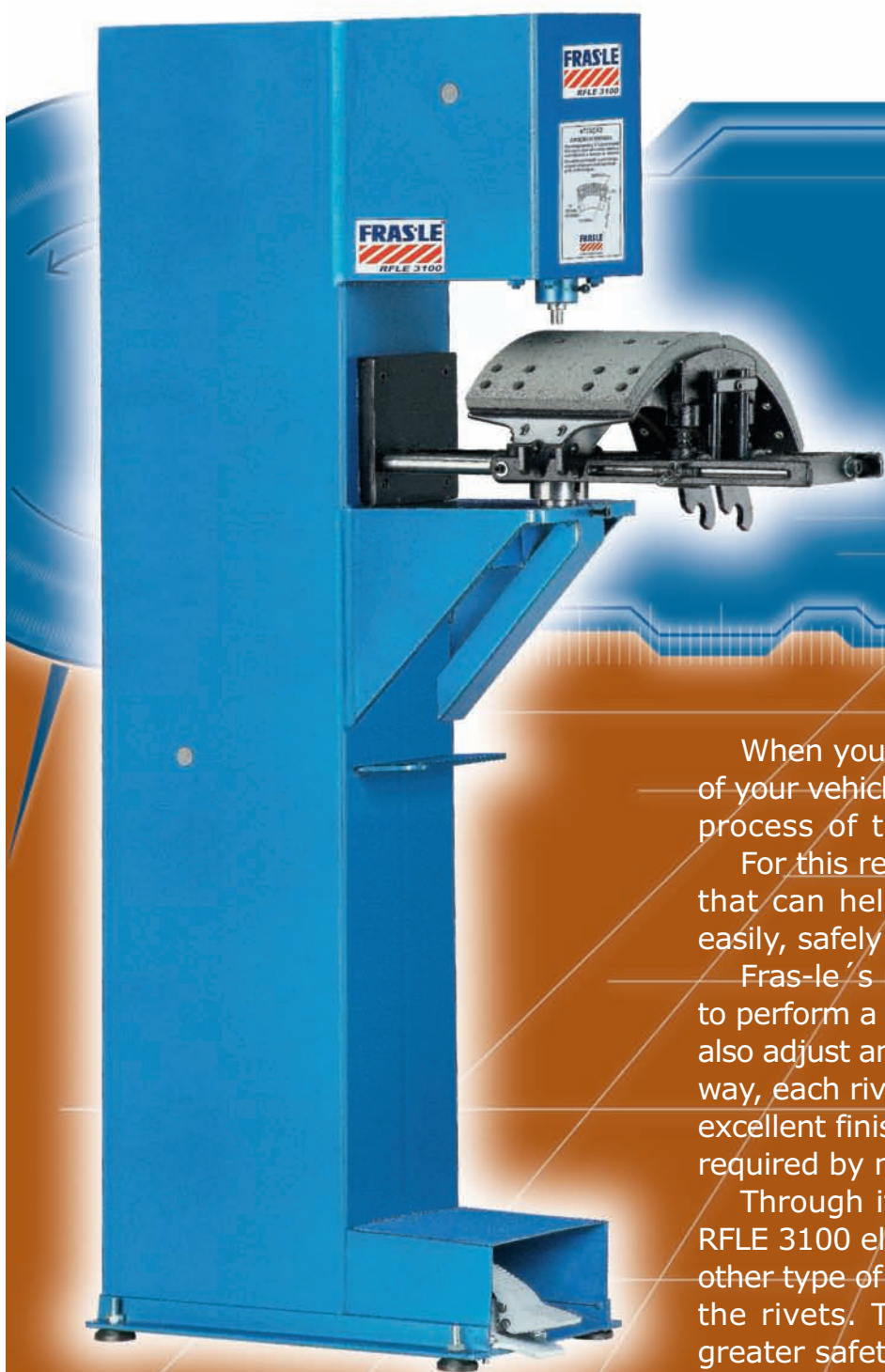


RIVETING MACHINE RFLE 3100

SAFETY, QUALITY AND PRECISION

FRASLE[®]



When you need to carry out service in the brakes of your vehicle, we remind you that a correct riveting process of the brake linings is highly important.

For this reason, Fras-le has developed a machine that can help you carry out maintenance service easily, safely and efficiently.

Fras-le's riveting machine RFLE 3100 allows you to perform a safe and uniform riveting operation and also adjust and monitor the pressure being used. This way, each rivet receives equal pressure, resulting on excellent finishing, in compliance with the standards required by most OEM companies.

Through its unique "Up side down" system, the RFLE 3100 eliminates the need for adhesive tapes or other type of material in order to position and secure the rivets. This way, the operator will work with greater safety and efficiency. With the Fras-le RFLE riveting machine, your riveting operation will feature more productivity and greater quality.

This machine is guaranteed by Fras-le S/A., one of the largest manufacturers of friction material in the world.

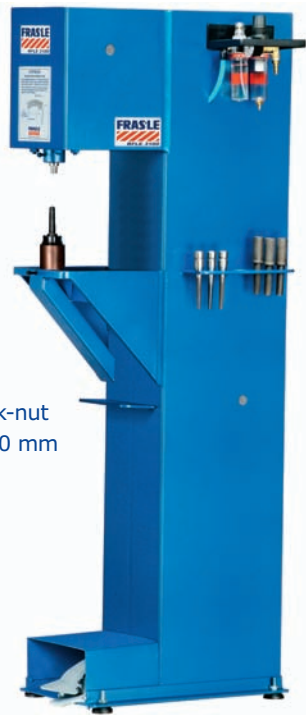
RIVETING MACHINE RFLE 3100

SAFETY, QUALITY AND PRECISION



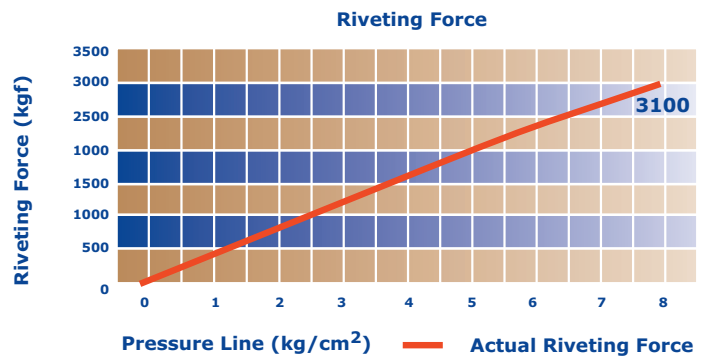
Technical features

- Double-acting pneumatic cylinder
- Pneumatically-actuated pedal
- Air regulating set with pressure and manometer
- Air consumption: 1,2 m³/hour (continuous service)
- Force between punching operations
 - 7 kg/cm² = 2750 kgf
 - 8 kg/cm² = 3100 kgf
- Punching stroke: 38 mm
- Interchangeable lower punch
- Adjustable lower fuse with lock-nut
- Dimensions: 570 X 310 X 1450 mm
- Weight: 110 kg



It may be used to rivet all types of rivets (aluminum, copper, stainless steel and brass). Fras-le recommends that you use **brass rivets**.

Force



Short Description	Description	Components
RFLE 3100	Fras-le riveting machine without riveting auxiliary device	Riveting machine
RFLE 3100-K	Fras-le riveting machine with riveting auxiliary device	Riveting machine + kit
KFLE 3100	Riveting auxiliary device kit	Support device Punch base 13 mm flat punch

02/2007

Optional items

Used only for riveting operations in the up side down system - riveting punch secured on the machine lower base.

Riveting auxiliary device KFLE 3100

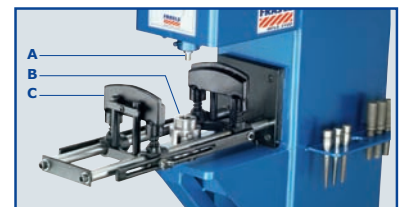
In some applications, the dimensions and the weight of the brake shoes considerably has some influence the riveting process.

Aiming to increase productivity and assure efficiency and quality to the process, making the riveting operation easier, Fras-le has developed for its RFLE 3100 riveting machine an innovating brake shoe support system.

In this system, the operator slides the brake shoe over the auxiliary device, reducing efforts and guaranteeing a perfect alignment between the brake shoe and the riveting device. This speeds up the process and provides gains in productivity. The device is designed for the heavy line and fits several brake shoe sizes.

The Riveting Auxiliary Device Kit KFLE 3100 is made up of the following items:

- A) 01-Flat upper punch with Ø 13,00 mm
- B) 01-Base with special adjustment for ribbed brake shoes
- C) 01-Brake shoes support device



Technical specifications are subject to changes without prior notice.



FRAS-LE S.A.

RS 122, Km 66, nº 10945 - Forqueta - 95115-550 - Caxias do Sul - RS - Brazil - Tel.: (+ 55 54) 3289.1000
Fax: (+ 55 54) 3289.1921- export@fras-le.com.br - www.fras-le.com

